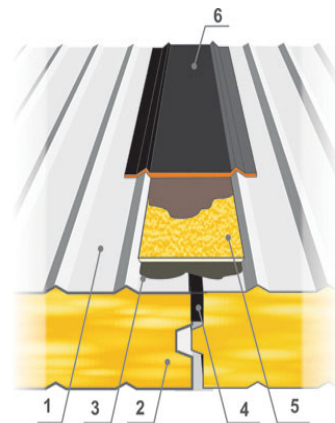


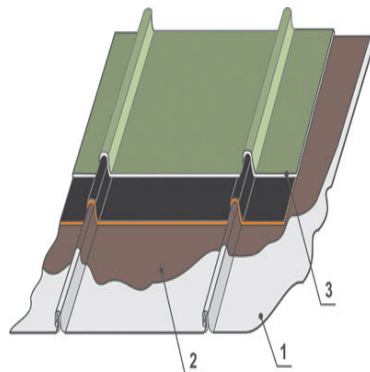
PARAPET WALL DETAILS

- 1 Base
- 2 Fillet (200 mm)
- 3 Daclar™ part 'A' only –flood coat
- 4 Daclar™ instant set membrane, thickness of 2,0 mm
- 5 Parapet cap



METAL ROOFING –SANDWICH TYPE

- 1 Metal sheet of the panel
- 2 Polyurethane foam
- 3 Daclar™ / Zavlar™
- 4 Cavities (seams) filled with mastic Voxlar™
- 5 Reinforcing of joints by a strip with an impregnated geotextile that has been laid out on Liquid Rubber base
- 6 Daclar™, thickness of 1,5 mm or Daclar™, thickness of 1 mm



GALVANIZED STEEL ROOFING

- 1 Metal surface
- 2 Daclar™ or Zavlar™
- 3 Daclar™, thickness of 1,5 mm or membrane of Daclar™, thickness of 1 mm in a combination with membrane Liquid Rubber Color™, thickness of 1 mm

We recommend that you contact Liquid Rubber's technical staff before starting any project that you are not familiar with. Our staff will assist you in planning the proper approach to each project.