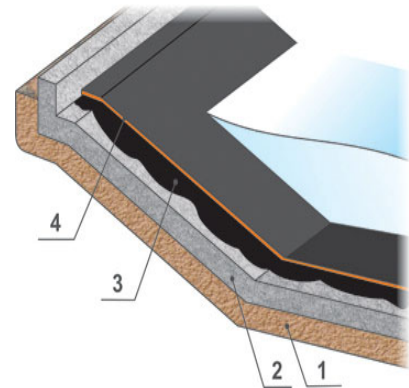
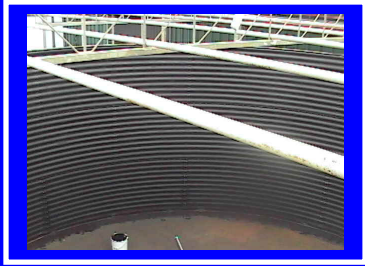
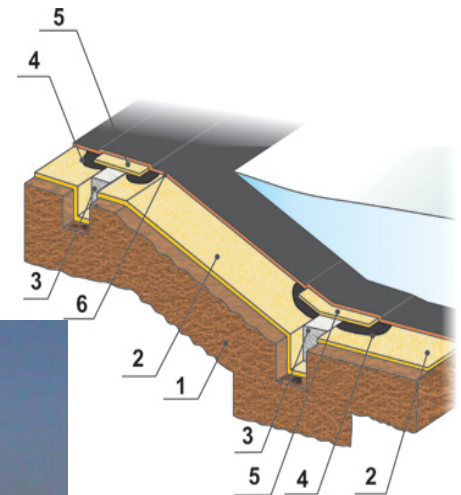


CONCRETE CONTAINMENT PONDS



USE OF GEOTEXTILES LINERS ON THE COMPACTED EARTH



For details see reverse side



For technical assistance on Liquid Rubber protective coatings contact us at 1-866 979-0300